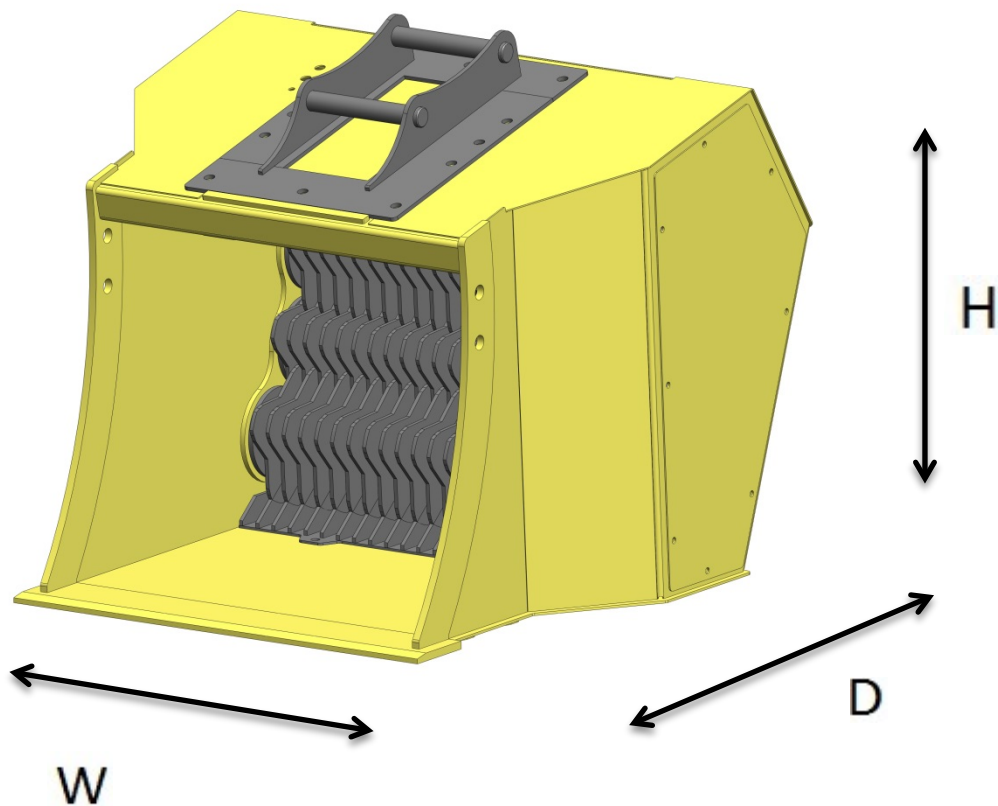


VIPER VPH 3-950 Pro Screen



INFORMATION	www.vipermetal.fi
Widht, bucket [mm] (W)	1250
Widht, axel [mm]	850
Depth [mm] (D)	1220
Height [mm] (H)	1000
Weight [kg]	710
Screening area [m ²]	0,6
Volume ISO [m ³]	0,45
Volume SAE [m ³]	0,53
Recommended excavator (tons)	6-9
Recommended wheel loader (tons)	3-7
Grain size [mm]	16, 24, 35
Recommended Oil flow [l/min]	50-75
Recommended Oil pressure [bar]	210

All rights to change without prior notice received